

INDUSTRIAL ELECTRONIC BALANCES (PROFESSIONAL TYPE)

TOUCH
SCREEN

HIGH
ACCURACY

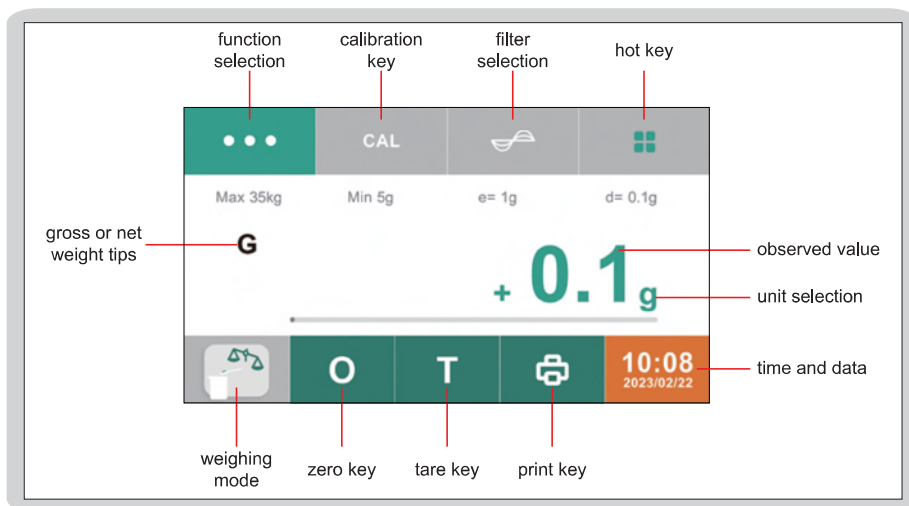
DATA
OUTPUT

CAN BE
CUSTOMIZED

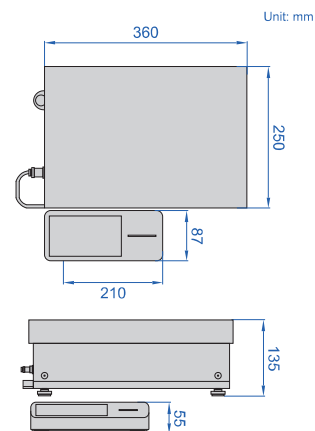
- Electromagnetic balanced sensor
- Compensates for zero stability and weighing accuracy by loading accurately at multiple temperature points
- Stainless steel weighing pan, acid and corrosion resistant
- Manual screen off, screen saver
- Weighing, counting, taring
- Overload alarm
- Unit: g, kg, lb, ct, oz
- Password protection
- Data output



8309-35



weighing test Interface



SPECIFICATION

Code	8309-16	8309-20	8309-30	8309-35	8309-16A	8309-20A	8309-30A	8309-35A
Maximum weighing	16kg	20kg	30kg	35kg	16kg	20kg	30kg	35kg
Resolution (d)	0.1g				0.05g			
Verification interval (e)	1g				0.1g			
Accuracy	±0.1g		±0.2g		±0.05g		±0.1g	
Repeatability	±0.1g							
Linearity	±0.1g				±0.05g			
Weight of calibration	10kg		20kg		10kg		20kg	
Calibration method	external calibration							
Minimum weighing	5g							
Stabilization time	≤1.5s							
Operation temperature	10~30°C							
Operation humidity	30%~80%RH							
Weighing pan size	360×250mm							
Power supply	power adapter (5V/2A)							
Data interface	DB9, Type-C, RS485							
Communication protocols	compatible with SBI (RS232) and SICS communication protocols							

Measurement functions:

	This application determines the weight of the object to be weighed within the specific weighing range of the device		The application can multiply the weighing value with a customisable coefficient to obtain a converted measurement, the last entered coefficient is saved when the power supply is interrupted
	The application allows up to 99 ingredients for a mixture or recipe to be placed sequentially in a container. After each placement of an ingredient, the balance will automatically tare the weight and can display the individual or total weight of the ingredients		The application is suitable for moving weights (e.g. live animals) and for weighing in unstable environments, where a measuring cycle with a defined number of measurements is performed automatically for each object to be weighed, the average value is determined from the individual measurements and displayed as a result
	The application can save up to 99 weighing values and calculated values, and perform statistical evaluations		The application checks that the weighing value is within the specified upper and lower limits and determines the test result, allowing weighing of a specific rated weight
	The application can sum up to 99 weighing values, can weigh components in different containers, and can tare each container before weighing each component		This application determines the maximum weighing value (peak value) of a sample and displays the value for up to 5 seconds after the balance has been unloaded
	The application can determine the density of solid materials based on the buoyancy method (powder density cannot be tested, no density components are supplied as standard)		The application counts almost identical piece weights by comparing them to a reference sample
	This application allows the determination of the percentage or percentage difference of the weighed object based on a reference weight		

STANDARD DELIVERY

Main unit	1 pc
RS232 cable *	1 pc
Touch screen indicator	1 pc

* Used to connect computers

OPTIONAL ACCESSORY

Printer	8309-PRINTER
Charge pal	1155-5-POB



printer (optional)



charge pal (optional)